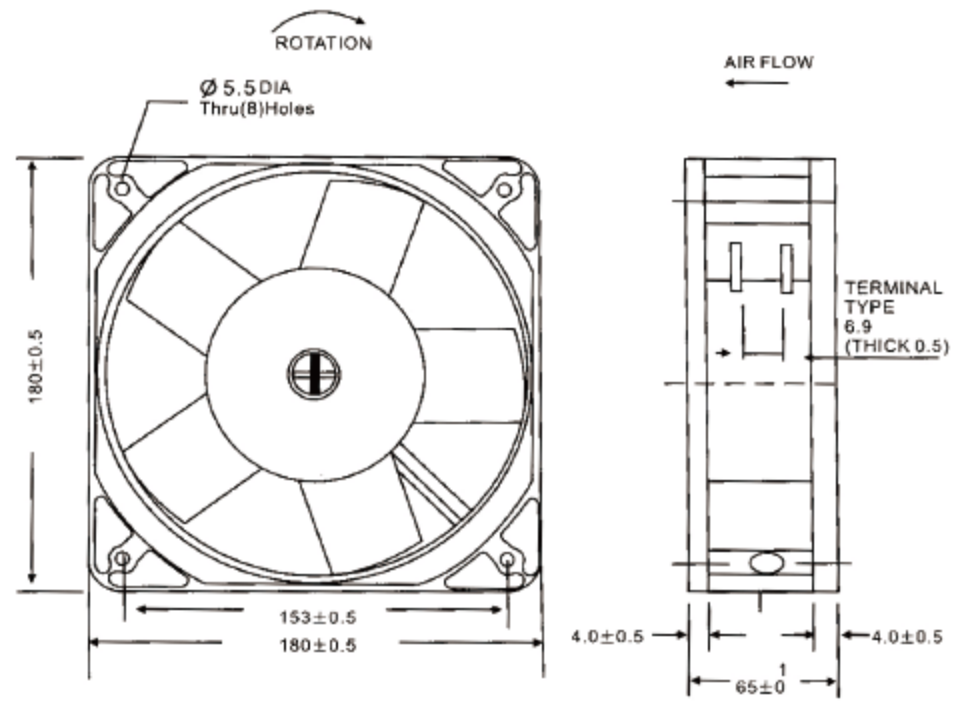
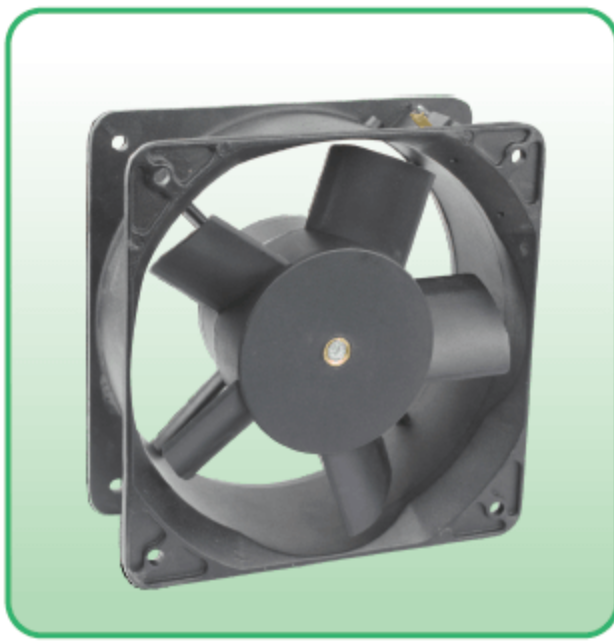




JULONG MOTOR
AC/DC FANS COOLING FANS



尺寸 Size: 180mmx180mmx65mm

风量 Airflow: 586-671m³/hr
345-395CFM

重量 Weight: 1190g

噪音 Noise: 63-68dBA

风叶 Impeller Material: PBT Thermoplastic Black,UL94-VO

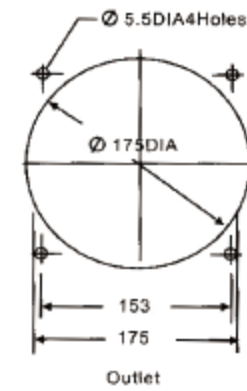
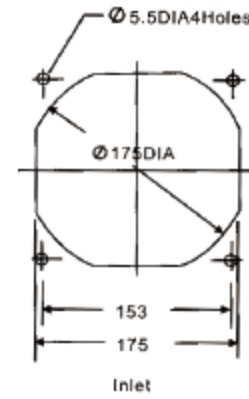
外框 Frame: Aluminum Alloy

端子 Terminals: 0.5mm

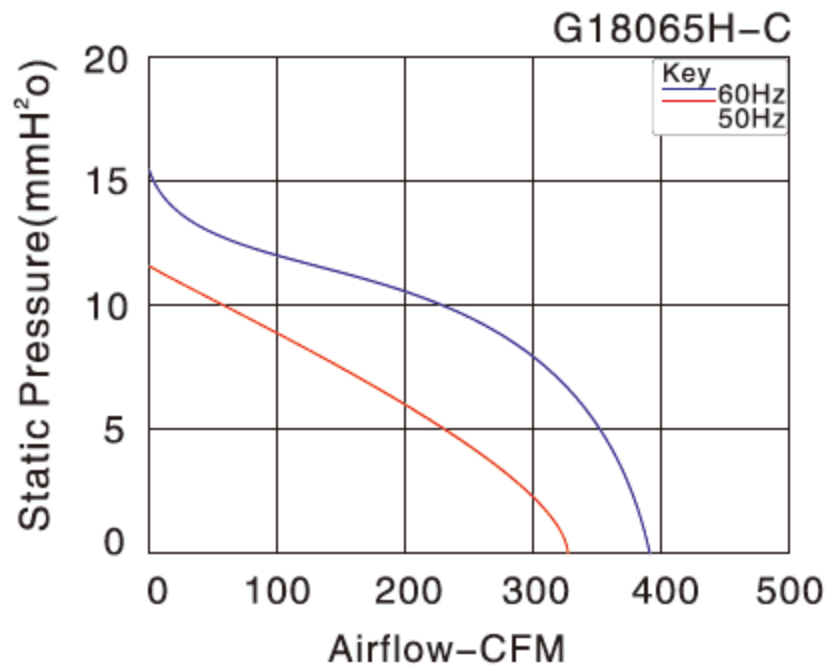
引线 Lead Wire: AWG#24 UL 1332(Optional)

马达 Motor: Capacitor-Run Induction Motor

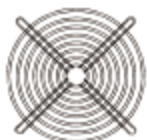
温度范围 Operating Temperature: -10°C~+65°C



Model (型号)	Bearing System (轴承型式)	Voltage VAC (电压)	Freq. Hz (频率)	Current A (电流)	Power W (功率)	Speed RPM (转速)	Noise dBA (噪音)	Air Flow (风量)		Phase (相数)	Capacitor (电容)
								M3/hr	CFM		
G18065HA,B-C	Ball	100/125	50/60	0.42	45	2600/3000	63/68	586/671	345/395	1	3.3uf/250v
G18065HA ₂ B-C	Ball	200/240	50/60	0.22	45	2600/3000	63/68	586/671	345/395	1	1.5uf/500v



Fan Accessories



JL180FOR