



**Muffin XL AC - MX3B1 - 028421**  
(Family) (Model) (Part Number)

### Electrical Specifications

Rated Voltage:	230 VAC
AC Frequency:	60 Hz
Power Supply:	16.0 Watts
Line Current:	0.09 Amps
Locked Rotor Current:	0.14 Amps
Nominal Speed:	3100 RPM

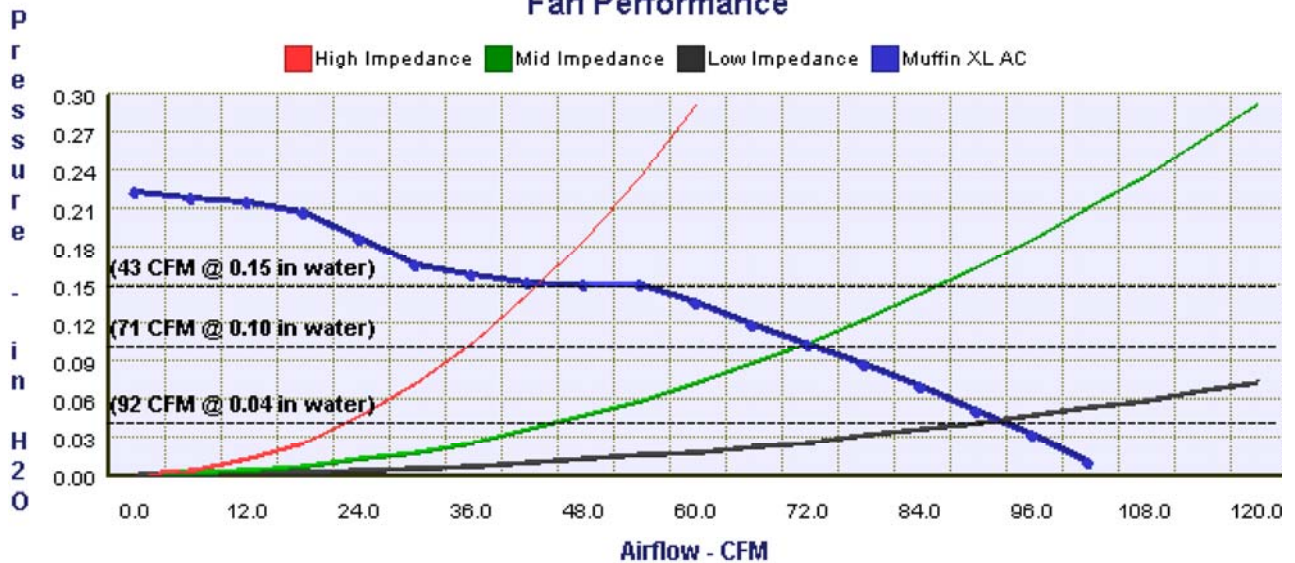


### Mechanical Specifications

Dimensions:	4.72in x 1.50in
Weight:	21.0 oz
Max Airflow @ 0 in H <sub>2</sub> O:	105.0 CFM
Max Pressure @ 0 CFM:	0.223 in H <sub>2</sub> O
Noise:	47.6 dBA



### Fan Performance



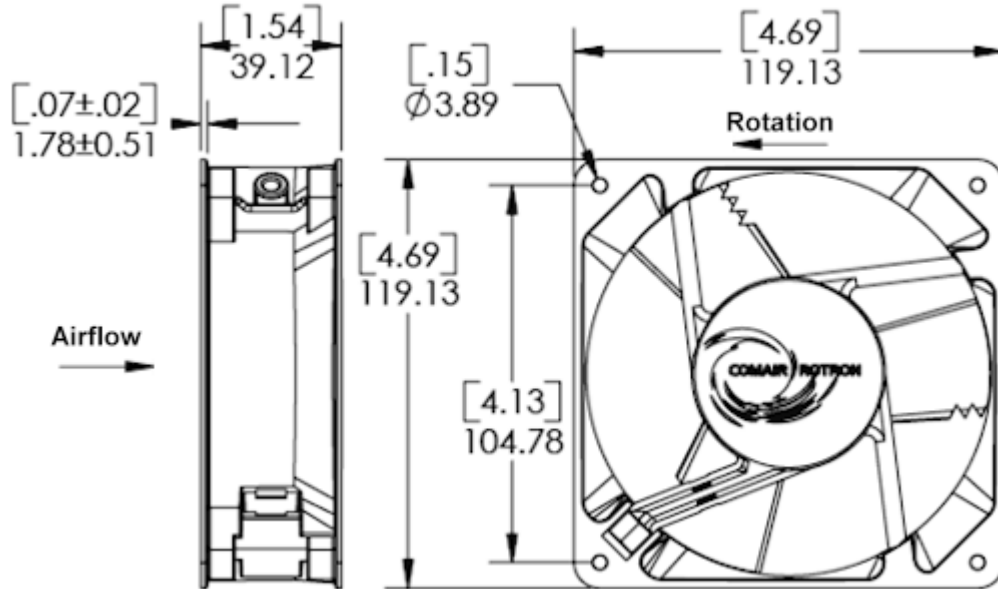
Comair Rotron, Inc.  
Phone: 858.348.6200  
sales@comairrotron.com

Comair Rotron Europe, Ltd.  
Phone: +44.1527.520525  
saleseurope@comairrotron.com

Comair Rotron Fan Company Ltd.  
Phone: +86.21.52260581  
salesasia@comairrotron.com



## Mechanical Drawing



## Options

Part Number	Model Number	Bearing Type	Fan Rotation	Termination	
028421	MX3B1	Ball	Normal	0.120 Terminals	