



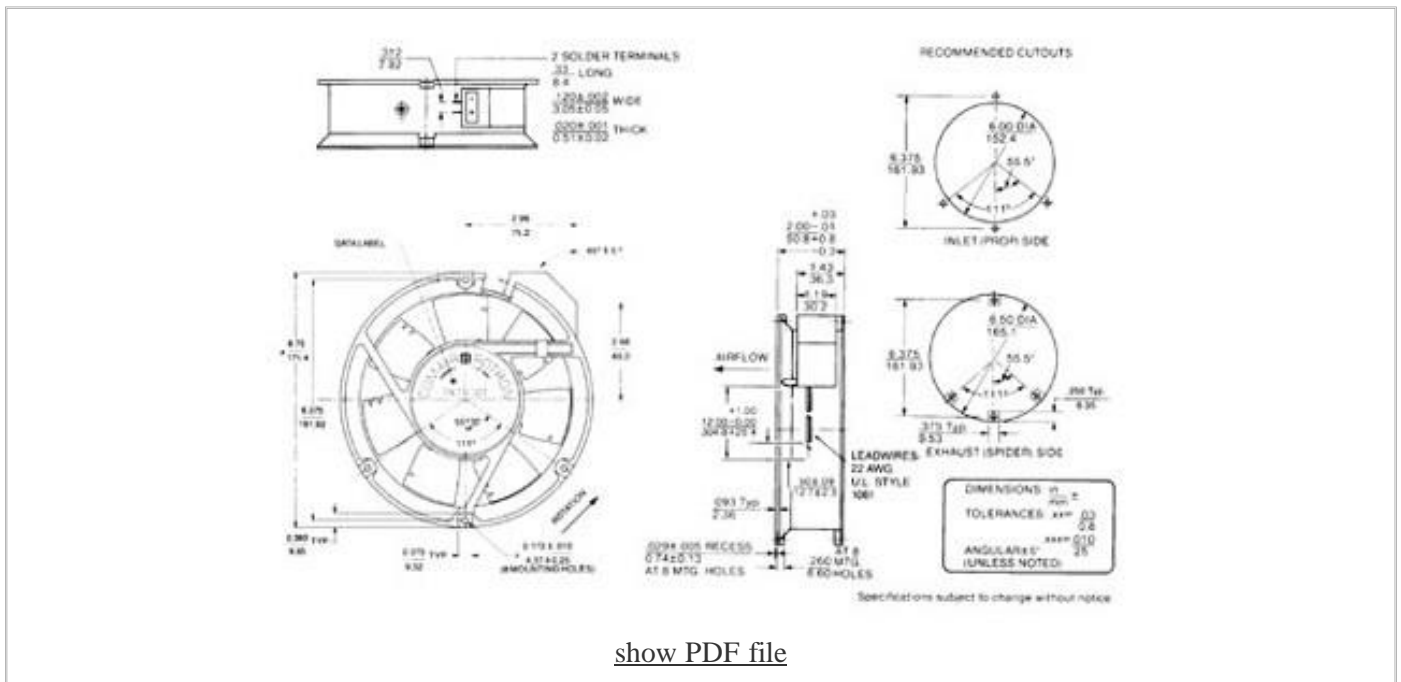
Patriot DC (DC Fan)

COMAIR ROTRON PART NUMBER: **031086**
 COMAIR ROTRON MODEL NUMBER: **PQ12C4**



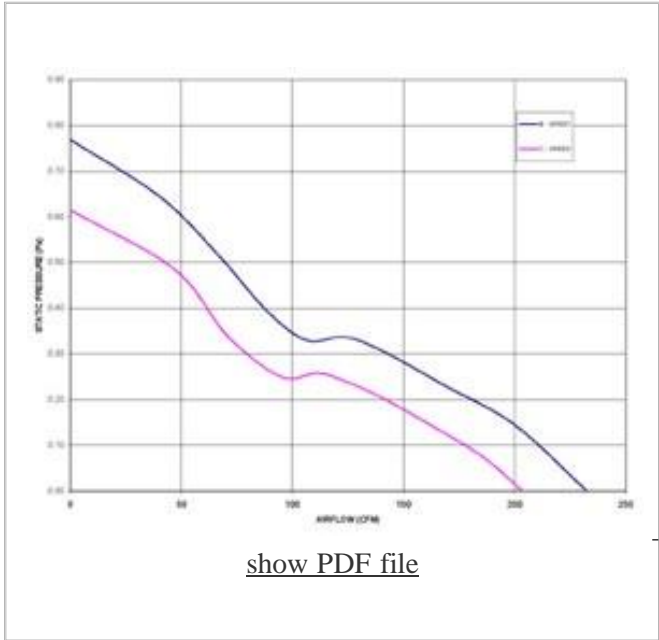
MOTOR	
Rated Voltage:	12
Operating Voltage Range:	6 - 14
Running Current: (amps)	1.5
Locked Rotor Current: (amps)	3.4
Rated Power: (watts)	18
Nominal Speed: (rpm)	2800

MECHANICAL	
Dimensions:	172mm x 51.0mm (6.75in x 2.00in)
Bearing Type:	Ball
Motor Base:	Metal
Propeller:	Polycarbonate






[show PDF file](#)

NOTES



PERFORMANCE CHARACTERISTICS	
Air Flow: (CFM)	205
Static Pressure:	.615

TERMINATION	
Leadwires:	Terminals

SAFETY			
			

All product names are used under license and are trademarks or registered trademarks of Comair Rotron, Inc.

[New Search](#)