

# SLC Series SUBMINATURE HIGH POWER RELAY 16A/20A/30A



CQC08002027666  
CQC08002027668

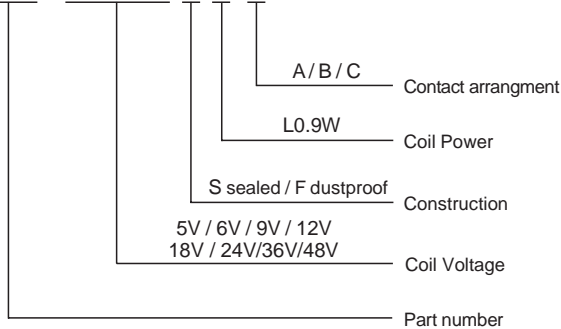


## Features

- Miniature volume, PCB usage
- Contact rating: 16A/20A/30A
- Temperature range: +85°C/+105°C

## Ordering Information

### SLC-12VDC-S L-C



## Contact Rating

|   |  |
|---|--|
| Contact arrangement                           | A / B / C                                      |
| Contact resistance                            | 100mΩ  |
| Contact material                              | Silver alloy: AgCdO, AgSnO <sub>2</sub> , AgNi |
| Contact rating                                | 1HP/16A/120VAC 20A/250VAC 30A/250VAC           |
| Max switching voltage                         | 250VAC   |
| Max switching current                         | 30A  |
| Max switching power                           | 7200VA   |
| Electrical endurance (frequency: 1800 ops/h)  | 1x10 <sup>5</sup> ops / 1x10 <sup>4</sup> ops  |
| Mechanical endurance (frequency: 18000 ops/h) | 1x10 <sup>7</sup> ops                          |

## Characteristics

|   |                           |                     |
|---|---------------------------|---------------------|
| Insulation system                             | B / F                     |                     |
| Insulation resistance                         | 100MΩ (500VDC)            |                     |
| Dielectric Strength<br>Leakage current<br>1mA | Between contacts and coil | 2000VAC 1 minute    |
|   | Between open contacts     | 1500VAC 1 minute    |
| Operate time(Under nominal voltage)           | ≤10ms                     |                     |
| Release time(Under nominal voltage)           | ≤10ms                     |                     |
| Humidity                                      | 45% ~85% RH (20°C)        |                     |
| Ambient Temperature                           | -40°C~+85°C/-40°C~+105°C  |                     |
| Shock resistance                              | Functional                | 98m/s <sup>2</sup>  |
|   | Destructive               | 980m/s <sup>2</sup> |
| Vibration resistance (Double amplitude)       | 10Hz-55Hz 1.5mm           |                     |
| Weight  | Approx 34g                |                     |
| Construction                                  | Sealed                    |                     |


Remark:1)All above data is initial value


| Power dissipation W | Voltage VDC | Current mA | Resistance Ω ±10% | Pick-up voltage | Drop-out voltage | Max allowable |
|---------------------|-------------|------------|-------------------|-----------------|------------------|---------------|
| 0.9W (L)            | 05          | 185        | 27                | 75%Max          | 10%Min           | 130%          |
|                     | 06          | 150        | 40                |                 |                  |               |
|                     | 09          | 100        | 90                |                 |                  |               |
|                     | 12          | 75         | 160               |                 |                  |               |
|                     | 18          | 50         | 380               |                 |                  |               |
|                     | 24          | 37.5       | 640               |                 |                  |               |
|                     | 36          | 25         | 1440              |                 |                  |               |
|                     | 48          | 18.75      | 2560              |                 |                  |               |


This product specification only for your reference, we will not notify you if we do any improvement. We reserve all the right for the final explanation

# SLC Series SUBMINATURE HIGH POWER RELAY 16A/20A/30A

## Safety Approval Ratings

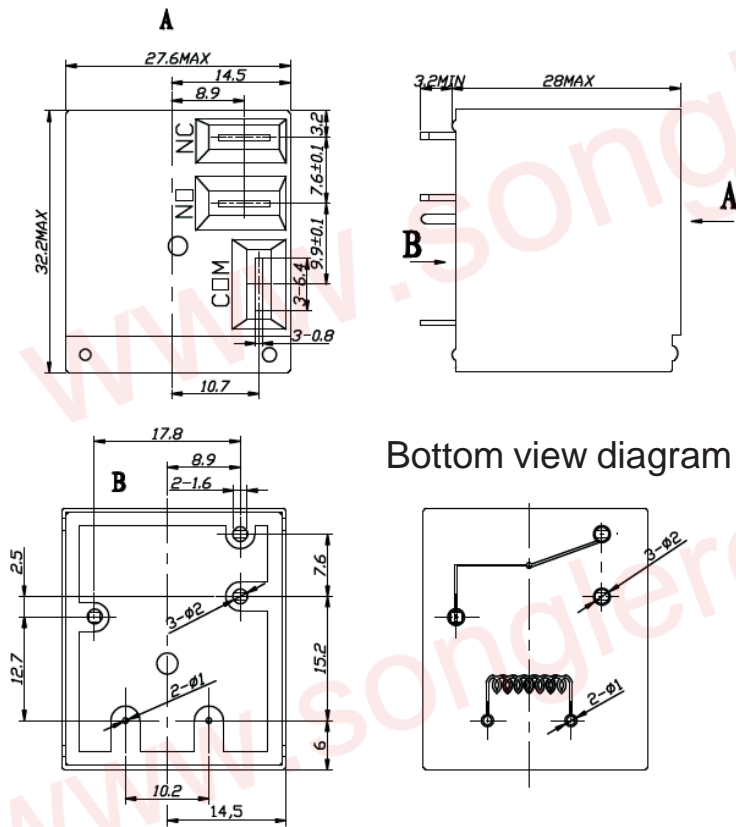
|  |
|--|
|  CQC08002027666<br>CQC08002027668 |
|  |

|   |
|---|
|  R50056114 |
| 30A 250VAC<br>20A 250VAC  |

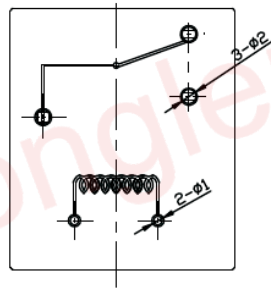
|   |
|---|
|  E179944 |
| 20A 240VAC<br>1HP 16A 120VAC  |

## OUTLINE DIMENSIONS , WIRING DIAGRAM AND PC BOARD LAYOUT Unit:mm

Physical installation diagram

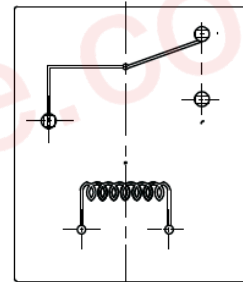


Bottom view diagram

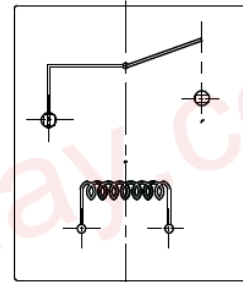


Bottom view diagram B Tolerance:  $\pm 0.1$ mm

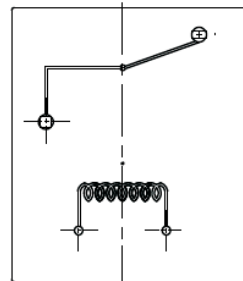
PCB board diagram  
(bottom view diagram)



Conversion C type



Normally open A type



Normally closed B type