

Tippette®

Full Sized Rocker Switches

[PRODUCT WEBPAGE](#)

request sample, configure part



The Tippette Series is a traditionally styled rocker switch, available in sealed or unsealed versions. These switches are appropriate for use in general purpose applications which may or may not require a modicum of environmental protection.

1-4	10-20	125-250	12-30
Poles	Amps	VAC Max	VDC Max

Typical Applications

- General Purpose Applications
- Commercial Food
- Recreational Vehicles
- Industrial Automation

Tech Specs

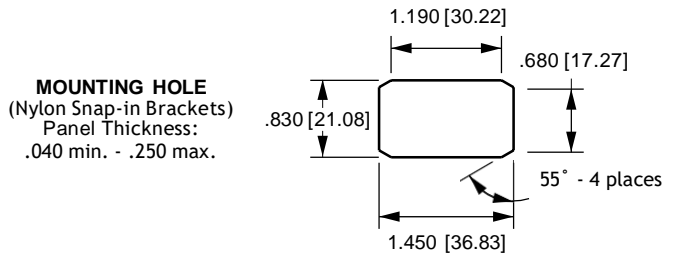
Electrical

Contact Rating	15 amps, 125 VAC 10 amps, 250 VAC 3/4 HP 125-250 VAC 15 amps, 12-30 VDC
Life	25,000 cycles circuit dependent 50,000 cycles circuit dependent consult factory for applicable circuits.
Contact	Fine silver, silver cad-oxide
Terminals	Brass or copper/silver plate 1/4" (6.3mm) Quick Connect terminations standard. Solder lug - Brass Tin Plated Wire Lead 16 gauge standard 105°C 600VAC Screw Terminals - Brass

Physical

Lighted	Incandescent - rated 10,000 hours Neon - rated 25,000 hours
Seals	Bracket - Actuator WBL/MBL optional external gasket panel seal
Operating Temperature	Up to 85° C Consult Factory for Specific Applications

Mounting



*Angled corners are suggested for optimum fit.
Standard rectangular cutout is acceptable.

Agency Certifications

UL, CSA and VDE

Select circuits and constructions with VDE/IEC approvals are available. Consult factory

Ordering Scheme

Sample Part Number TIGA51 - 6M - BL - MBL

Selection 1 2 3 4

1. SERIES

10A 250VAC, 15A 125VAC, 3/4 HP 125-250VAC, 15A 6-28VDC

solder lug	.250 tab	screw term.	wire leads		solder lug	.250 tab	screw term.	wire leads	
TIGA50	TIGA51	TIGA54	TIGA55	On-None-Off	TIGK50	TIGK51	TIGK54	TIGK55	
TIGA5A	TIGA5B	TIGA5E	TIGA5F	(On)-None-Off	TIGK5A	TIGK5B	TIGK5E	TIGK5F	
TIGA5L	TIGA5M	TIGA5S	TIGA5T	On-None-(Off)	TIGK5L	TIGK5M	TIGK5S	TIGK5T	
TIGB50	TIGB51	TIGB54	TIGB55	On-None-On	TIGL50	TIGL51	TIGL54	TIGL55	
TIGB5A	TIGB5B	TIGB5E	TIGB5F	On-None-(On)	TIGL5A	TIGL5B	TIGL5E	TIGL5F	
TIGC50	TIGC51	TIGC54	TIGC55	On-Off-On	TIGM50	TIGM51	TIGM54	TIGM55	
TIGC5A	TIGC5B	TIGC5E	TIGC5F	On-Off-(On)	TIGM5A	TIGM5B	TIGM5E	TIGM5F	
TIGC5L	TIGC5M	TIGC5S	TIGC5T	(On)-Off-(On)	TIGM5L	TIGM5M	TIGM5S	TIGM5T	

Three Pole

solder lug	.250 tab	screw term.	wire leads		solder lug	.250 tab	screw term.	wire leads	
TIHK50	TIHK51	TIHK54	TIHK55	On-None-Off	TIHK50	TIHK51	TIHK54	TIHK55	
TIHK5A	TIHK5B	TIHK5E	TIHK5F	(On)-None-Off	TIHK5A	TIHK5B	TIHK5E	TIHK5F	
TIHK5L	TIHK5M	TIHK5S	TIHK5T	On-None-(Off)	TIHK5L	TIHK5M	TIHK5S	TIHK5T	
TIHL50	TIHL51	TIHL54	TIHL55	On-None-On	TIIL50	TIIL51	TIIL54	TIIL55	
TIHL5A	TIHL5B	TIHL5E	TIHL5F	On-None-(On)	TIIL5A	TIIL5B	TIIL5E	TIIL5F	
TIHM50	TIHM51	TIHM54	TIHM55	On-Off-On	TIIM50	TIIM51	TIIM54	TIIM55	
TIHM5A	TIHM5B	TIHM5E	TIHM5F	On-Off-(On)	TIIM5A	TIIM5B	TIIM5E	TIIM5F	
TIHM5L	TIHM5M	TIHM5S	TIHM5T	(On)-Off-(On)	TIIM5L	TIIM5M	TIIM5S	TIIM5T	

Four Pole

VDE APPROVED

10A 250VAC, 15A 125VAC, 12(6)A 250VAC T85

Single Pole in Double Pole base ²

solder lug	.250 tab	wire lead		Double Pole solder lug	.250 tab	wire lead	
TIGA90	TIGA91	TIGA95	On-None-Off	TIGK90	TIGK91	TIGK95	
TIGB90	TIGB91	TIGB95	On-None-On	TIGL90	TIGL91	TIGL95	
TIGC90	TIGC91	TIGC95	On-Off-On	TIGM90	TIGM91	TIGM95	

Additional ratings up to 20A 125-277VAC, 1 1/2HP 125 VAC, 2HP 250VAC are available. Consult factory for specifics.

2. ACTUATOR STYLE

- 1S Angular/Smooth Face Gloss ^{1,2}
- 1C Angular/Cross Serrations Gloss ^{1,2}
- 1F Flatted/Smooth Face Gloss ^{1,2}
- 1L Angular/Longline Serrations Gloss ^{1,1,2}
- 2L Long Smooth/Narrow ¹
- 6M Curved/Smooth Face Matte ³
- 6S Curved/Smooth Face Gloss ³
- 7S Rounded Paddle/Smooth Face Gloss ¹
- 7N Witch's Hat/Narrow ^{1,4}
- 7P Witch's Hat/Wide ^{1,4}

3. ACTUATOR COLOR

- BL Black
- WH White
- RD Red

4. BRACKET STYLE ⁹

- A Screw Mount ⁵
- B Screw Mount ^{5,12}
- C Screw Mount ⁵
- H Screw Mount ⁵
- NBL Nylon Black
- WBL Water shedding Black ⁴
- MBL Marine Style Black ^{4,6}
- FN Metal Snap-In ⁵
- FN BLK Black Metal Snap-In ⁵
- FN SS Stainless Steel Snap-In ⁵
- FW Wide Stainless Steel Snap-In ⁵

Notes:

- ¹ FN, & FW brackets only.
- ² For single pole switch in a single pole base, specify TIL with single pole circuitry/rating/termination.
- ³ NBL, WBL, & MBL brackets only. With 6M actuator, brackets also will be matte finish.
- ⁴ 6M & 6S actuators only
- ⁵ Not available with 6M & 6S actuators.
- ⁶ Consists of WBL bracket, neoprene seal, and dummy rivets at open holes. Consult factory for agency approval status.
- ⁷ All ratings are appropriate for usage in low voltage applications.
- ⁸ For additional special circuits, see catalog.
- ⁹ Custom colors are available, consult factory.
- ¹⁰ .187 tab and PC terminations are also available. Consult factory for catalog number callout.
- ¹¹ () momentary
- ¹² Not available with WBL or MBL style brackets.
- ¹³ Available with bracket A, C or H only.
- ¹⁴ Not available with MBL, WBL or H brackets. Can be supplied as a double rocker to control separate poles of a TIG, TIH or TII switch. Consult factory for details.

[Configure Complete Part Number >](#)

[Browse Standard Parts >](#)

Ordering Scheme

Sample Part Number LTILA51 - 6M - BL - RC - MBL - 12V

Selection 1 2 3 4 5 6

1. SERIES

10A 250VAC, 15A 125VAC, 3/4 HP 125-250VAC, 15A 15-28VDC
illuminated Single Pole in Double Pole base

illuminated Single Pole in Double Pole base				illuminated Double Pole			
solder	.250	screw	wire	solder	.250	screw	wire
lug	tab	term.	leads	lug	tab	term	wire
LTILA50	LTILA51	LTILA54	LTILA55	LTIGK50	LTIGK51	LTIGK54	LTIGK55
LTILA5A	LTILA5B	LTILA5E	LTILA5F	LTIGK5A	LTIGK5B	LTIGK5E	LTIGK5F
LTILA5L	LTILA5M	LTILA5S	LTILA5T	LTIGK5L	LTIGK5M	LTIGK5S	LTIGK5T
LTILB50	LTILB51	LTILB54	LTILB55	LTIGL50	LTIGL51	LTIGL54	LTIGL55
LTILB5A	LTILB5B	LTILB5E	LTILB5F	LTIGL5A	LTIGL5B	LTIGL5E	LTIGL5F
LTILC50	LTILC51	LTILC54	LTILC55	LTIGM50	LTIGM51	LTIGM54	LTIGM55
LTILC5A	LTILC5B	LTILC5E	LTILC5F	LTIGM5A	LTIGM5B	LTIGM5E	LTIGM5F
LTILC5L	LTILC5M	LTILC5S	LTILC5T	LTIGM5L	LTIGM5M	LTIGM5S	LTIGM5T

Additional ratings up to 12A 250VAC, 17A 125 VAC, 3/4 HP 125 VAC, 1HP 250VAC are available. Consult factory for specifics. Three pole switch is also available: Substitute H for fourth digit of part number. ex. LTIHK51

2. ACTUATOR STYLE 4

- 1S Angular/Smooth Face Gloss ¹
- 1C Angular/Cross Serrations Gloss ¹
- 1L Angular/Longline Serrations Gloss ¹
- 6M Curved/Smooth Face Matte ³
- 6S Curved/Smooth Face Gloss ³
- 7S Rounded Paddle/Smooth Face Gloss ²

5. BRACKET STYLE 11

- NBL Nylon Black
- WBL Water shedding Black ⁵
- MBL Marine Style Black ^{5,8}
- FN Metal Snap-In ^{4,6}
- FN BLK Black Metal Snap-In ^{4,6}
- FN SS Stainless Steel Snap-In ^{4,6}

3. ACTUATOR COLOR 11

- BL Black
- WH White
- RD Red

4. LENS COLOR 13

- AM Amber
- LU Blue ⁷
- RC Red
- CL Clear
- GN Green ⁷
- WH White

6. LAMP VOLTAGE

- neon ⁹
- 125N 125 volt 250N 250 volt
- incandescent
- 6V 6 volt 12V 12 volt 18V 18 volt
- 24V 24 volt 28V 28 volt

Notes:

- 1 NBL, FN, & FW brackets only. Double pole circuits provided with 3 pole base.
- 2 LTIL-Series with NBL, FN, & FW brackets only.
- 3 NBL, WBL, & MBL brackets only. With 6M actuator, bracket will also be matte finish.
- 4 1S, 1C, 1L & 7S with NBL bracket only available with LTIL-Series.
- 5 6M, 6S actuators only.
- 6 Not available with 6M and 6S actuators.
- 7 Not recommended with neon lamps.
- 8 Consists of WBL bracket, neoprene seal, dummy rivets at open holes. Consult factory for agency approval status.
- 9 Not recommended with blue or green lenses.
- 10 All ratings are appropriate for usage in low voltage applications.
- 11 Custom colors and additional bracket styles are available, consult factory.
- 12 () - momentary
- 13 All double throw circuits supplied with two lenses. To specify two different lens colors, specify second color, after first color. (ex. LTIGM51-6S-BL-RC/GN-WBL-12V)
- 14 .187 tab and PC terminations are also available. Consult factory for catalog number callout.

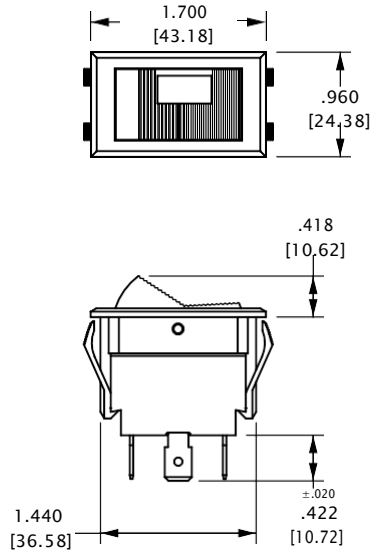
[Configure Complete Part Number >](#)

[Browse Standard Parts >](#)

Dimensional Specs

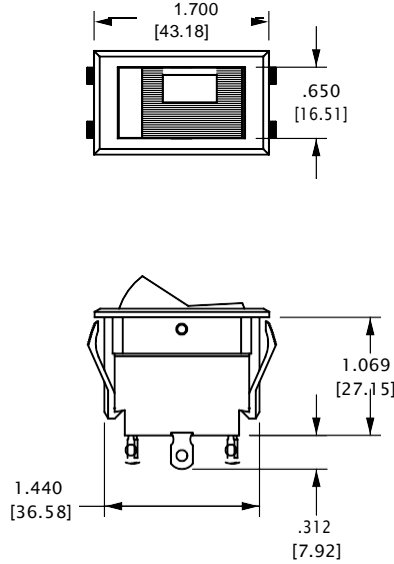
inches [millimeters]

1C
CROSS-LINE W/ONE LENS



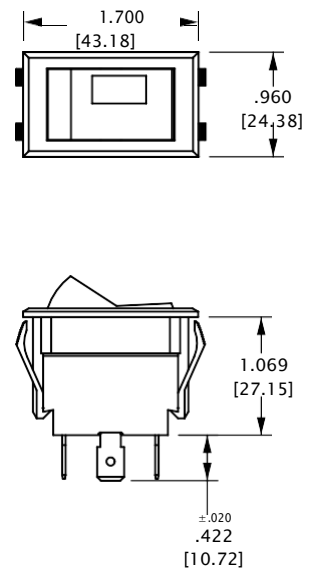
WITH .250 TAB
TERMINALS
AND NBL BRACKET

1L
LONG-LINE W/ONE LENS



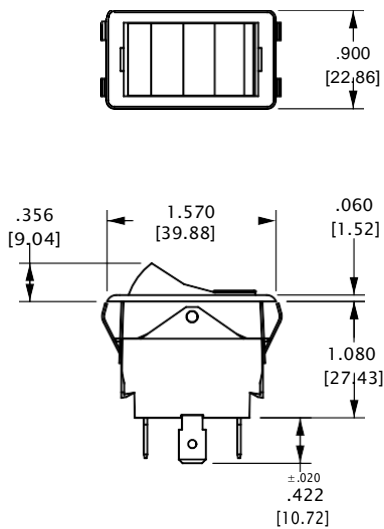
WITH SOLDER LUG
TERMINAL
AND NBL BRACKET

1S
SMOOTH W/ONE LENS



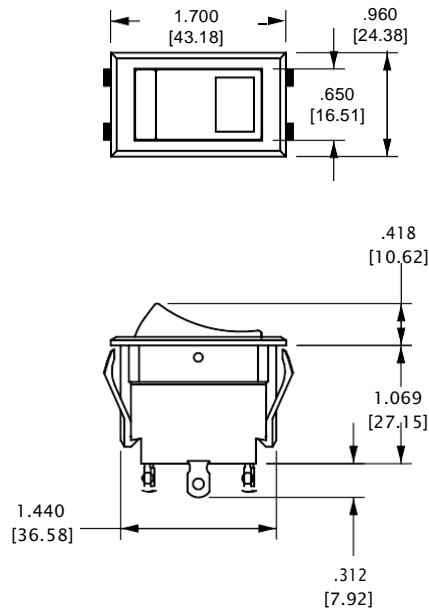
WITH .250 TAB
TERMINALS
AND NBL BRACKET

1F
FLATTED STYLE NO LENS



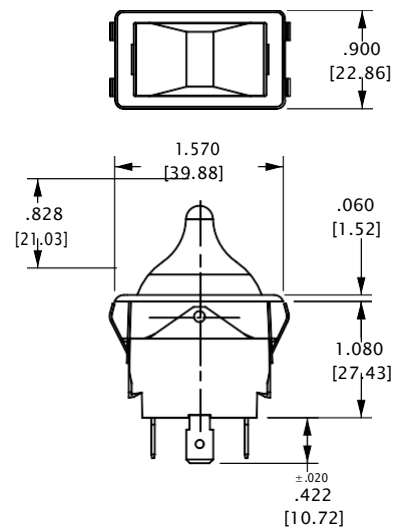
WITH .250 TAB
TERMINALS
AND FN BRACKET

6M, 6S
CURVED W/ONE LENS



WITH SOLDER LUG
TERMINALS
AND NBL BRACKET

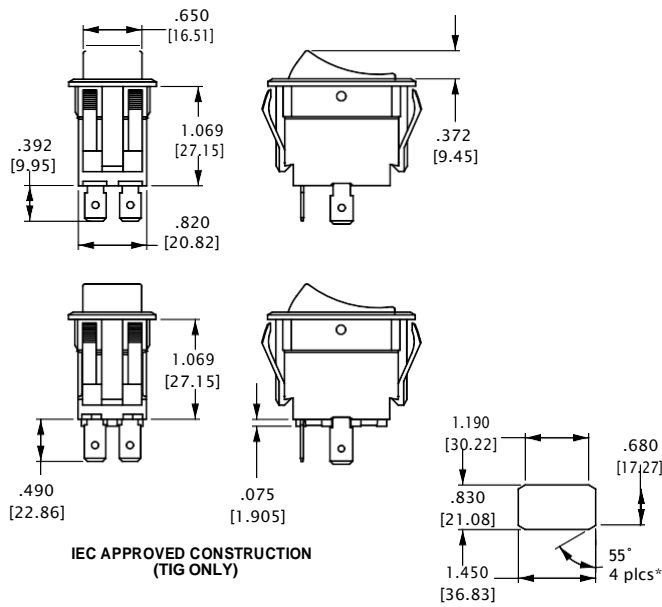
7S
TOGGLE-STYLE W/ONE LENS



WITH .250 TAB
TERMINALS
AND FN BRACKET

Dimensional Specs

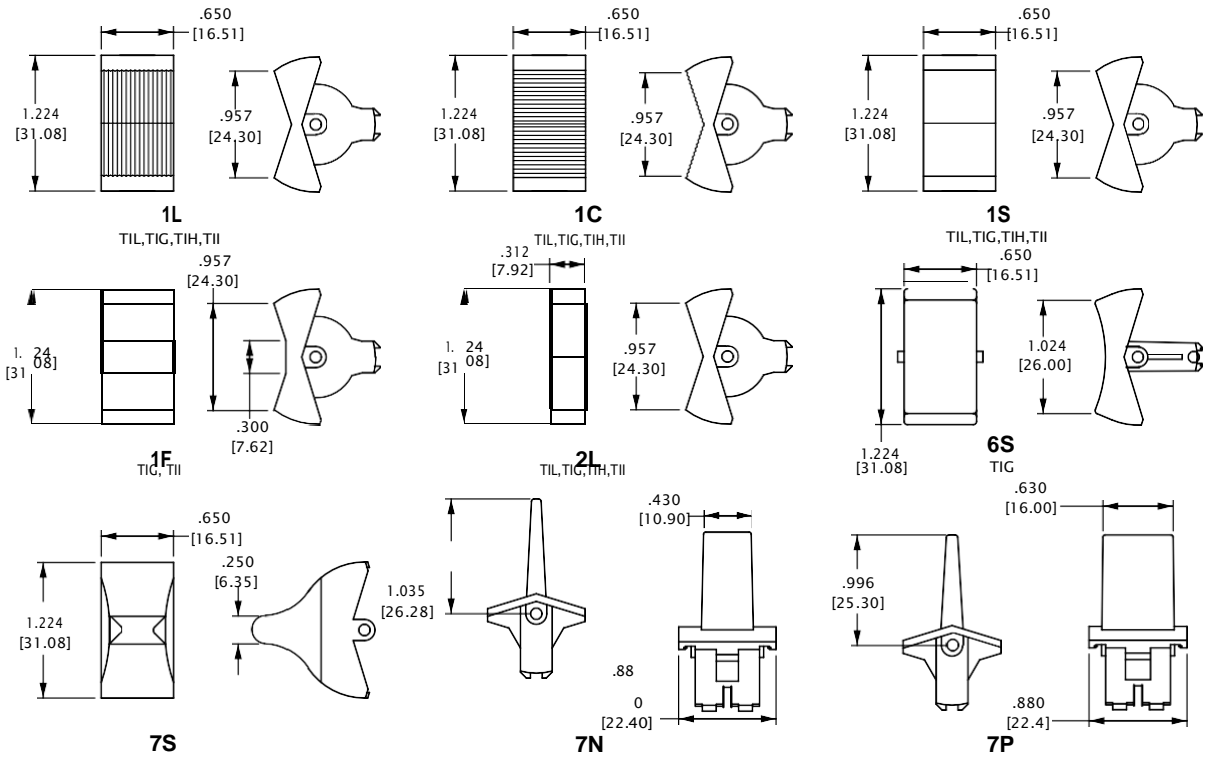
inches [millimeters]



SOLDER LUG	.250 TAB (Q.C.)	.187 TAB (Q.C.)
TERMINAL TYPE		
SCREW (ASSEMBLED)	WIRE LEAD	PRINTED CIRCUIT

MOUNTING HOLE
 (Nylon Snap-in Brackets)
 Panel Thickness:
 .030 min. - .250 max.
 Switch should be mounted at 90°
 for maximum water shedding
 (45° to 90° acceptable)

* Angled corners are suggested for optimum fit. Standard rectangular cutout is acceptable.

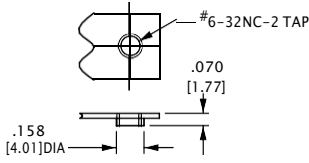


SPECIAL CIRCUITS FOR TIPPETTE ROCKER SWITCHES

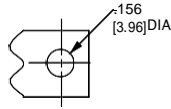
Circuit	Position 1	Position 2	Position 3
Progressive Two Circuit			
GG	Both Circuits ON	One Circuit ON	OFF
GG	Both Circuits (ON)	One Circuit ON	OFF
Single Pole Triple Throw			
GE	ON	ON	ON
Two Circuit			
GH	Circuit 1 ON	Both Circuits ON	Circuit 2 ON
GP	Circuit 2 ON	Circuit 1 ON	OFF
Reversing Double Pole Double Throw			
GO	ON	OFF	ON
GX	ON	NONE	ON

Dimensional Specs

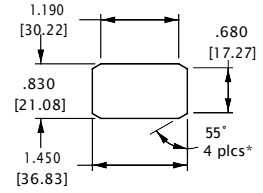
inches [millimeters]



TAPPED HOLE
Standard with
A & B Brackets



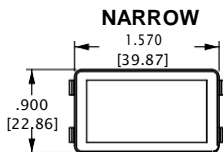
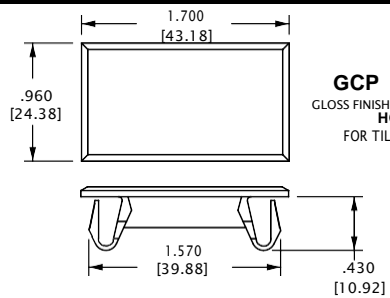
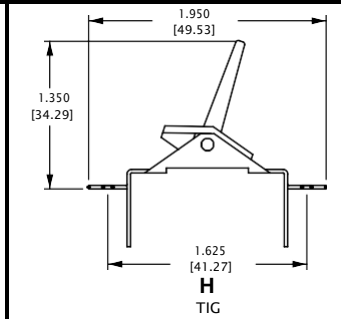
CLEARANCE HOLE
Standard with
C Bracket



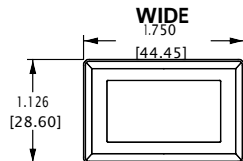
MOUNTING HOLE
(Nylon Snap-in Brackets)
Panel Thickness:
.030 min. - .250 max.

* Angled corners are suggested for optimum fit. Standard rectangular cutout is acceptable.

TIL	TIG	TII	TIH
<p>A TIL</p>	<p>A TIG</p>	<p>A TII</p>	<p>A TIH</p>
<p>B TIL</p>	<p>B TII, TIG</p>		
<p>CX TIL</p>	<p>C TIG</p>	<p>C TIH, TII</p>	

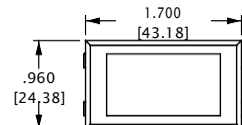


FN
TIL, TIG, TIH, TII
METAL, SNAP-IN



FW
TIL, TIG, TIH, TII
METAL, SNAP-IN

MARINE / STD / WATERSHEDDING



MBL, NBL, WBL
TIG
BLACK NYLON, SNAP-IN

